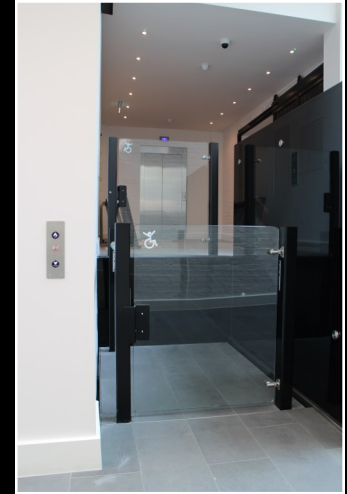


# MURRAY LIFT SERVICES LIMITED

— [www.murrayliftservices.com](http://www.murrayliftservices.com) —



## premium platform lifts

Contemporary styled access for all. Architecturally inspired, refined, discrete and beautifully engineered. A statement fashioned in stainless steel and glass



*“When we design a platform lift we think of it as a vehicle for vertical transportation. It must be beautiful and a joy to use”.*



After many years of development the much anticipated launch of our first full standard range of mobility platform lifts has arrived. A series of BS6440/2011 compliant low profile, single, double and triple scissor mechanism lifts with innovative frameless glass barriers and gates, all beautifully detailed and expertly crafted with lift heights from 820mm to 3000mm. All our platform lifts are designed & built in England.

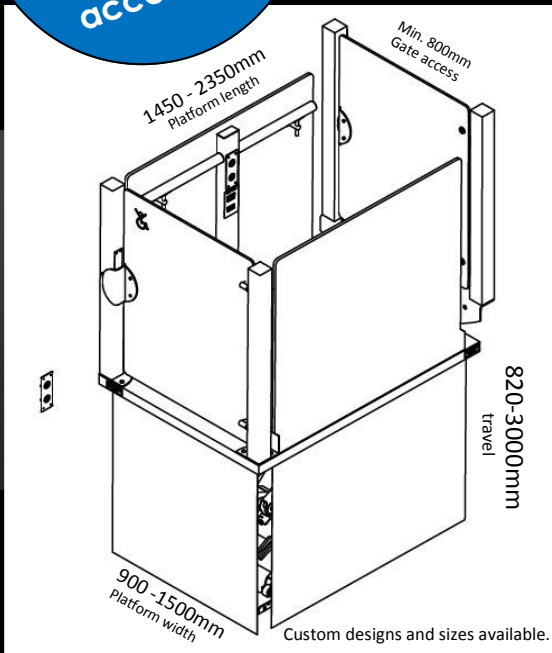
MURRAY LIFT SERVICES LIMITED Winston House Maltings Mews Sidcup DA15 7DG  
Tel: 020 8300 0615 Fax: 020 8181 7181 [office@murrayliftservices.com](mailto:office@murrayliftservices.com)



20 models,  
1000's of  
configurations,  
options &  
accessories

Available with four scissor types - low profile, single, double and triple, our lifts are exceptionally adaptable and suited for virtually all applications to a height of 3M. Through car and adjacent entry are available as well as custom sizes, configurations and finishes.

Easy access for all is an essential element of building design and in addition to exceptional functionality the platform lift should match or compliment its surroundings, make a statement or be unobtrusive. Our design team have worked hard to ensure the requirements of functionality and style have been combined. A beautiful hotel lobby, smart city office or prestigious apartment complex deserve a platform lift that has been fashioned to enhance its environment



Beautiful to the finest detail:

- ◆ Machined stainless steel split rod hinges
  - ◆ Photo-sensor gate actuation
  - ◆ Black pearl floor covering
  - ◆ Half-moon anchor plates
  - ◆ Stainless steel latching plates
  - ◆ Frameless safety glass barriers and gates
  - ◆ Unique dual fascia upper gate fixings
  - ◆ Illuminated oversize control buttons
  - ◆ Bevelled glass button clamps
- 500Kg capacity super stable scissor mechanisms

Our cost effective bespoke service will design and build according to your own specific requirements including custom sizes, heights, configurations, materials and finishes. Please get in touch for details.



MURRAY LIFT SERVICES LIMITED Winston House Maltings Mews Sidcup DA15 7DG  
Tel: 020 8300 0615 Fax: 020 8181 7181 office@murrayliftservices.com